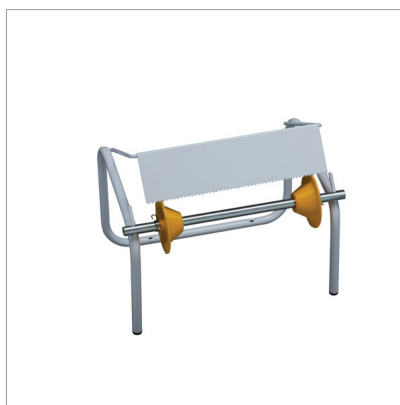


GENERAL INFO**NAME:** Rolind**DESCRIPTION:** Wall-mounted/freestanding industrial roll towel dispenser**RANGE:** Industrial roll dispensers**CATEGORY:** Dispensers and hotel accessories**REFERENCE:** MI700014**EAN:** 8033433772253**HS CODE:** 73249000**PRODUCT ORIGIN:** UE**PRODUCT PICTURE****PRODUCT SPECIFICATIONS****Dimensions:** 275 x 392 x 345 mm**Weight:** 1.2 kg**ADDITIONAL INFO**

Epoxy coated steel; holds one roll having external Ø 350 mm; compatible with roll having an inner carton tube Ø 20 mm min; roll holder bar 430 mm; paper can be cut easily with the adjustable serrated bar; plastic cones hold the roll securely in place (Ø min. 42 mm, Ø max. 55 mm)

SELLING UNIT & PACKING**Selling unit:** pc**Package type:** cardboard**Pcs per box:** 1**Package dim. (LxPxH):** 315 x 290 x 405 mm**Package gross weight:** 1.7 kg